

**Complete Parts List for the IMPCO Ecotrans CLEARSKY DPF**  
 Relating to Executive Order Series 12-661-1082  
 Effective Date: March 20, 2012

**PG1060 - DPF System without DCP3**

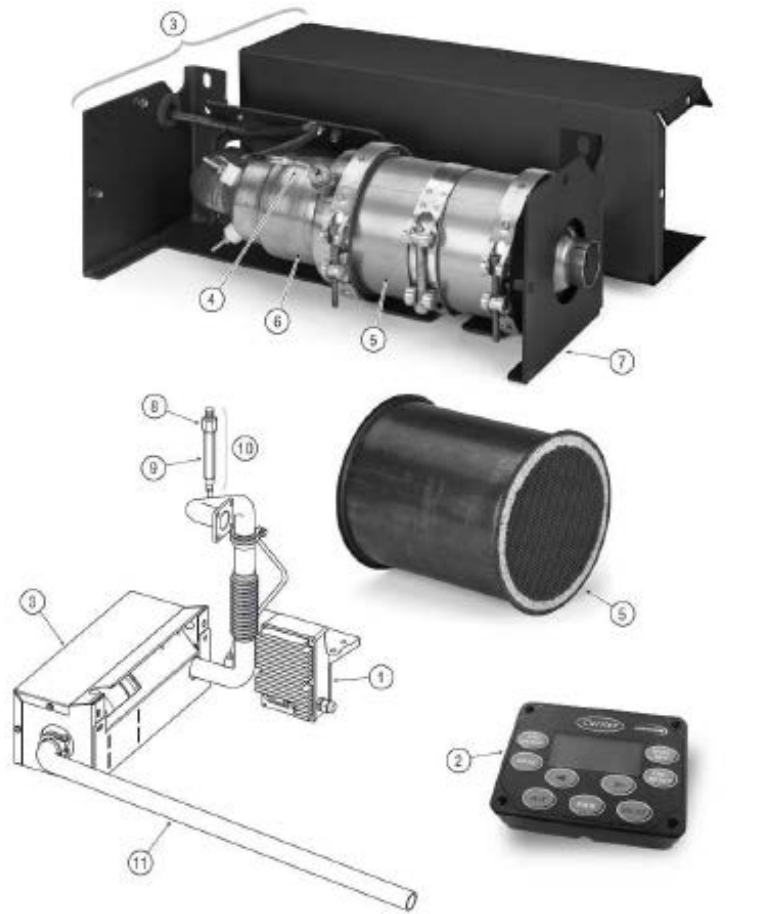
(for use on newer MY09+ APUs that already have the DCP3 installed)

Description	Manufacturer	Part Number	Qty
Harness DPF Main	IMPCO Ecotrans	30-611-01	1
Harness CAN Extension 35'	IMPCO Ecotrans	30-612-01	1
Tube Pressure DPF	IMPCO Ecotrans	30-623-01	1
Controller DPF Complete	IMPCO Ecotrans	30-624-00	1
DPF Complete	IMPCO Ecotrans	30-630-00	1
Sensor Temp DPF	Stoneridge	30-089-01	1
Harness Heater DPF	IMPCO Ecotrans	30-629-01	1
Label CARB S/N DPF	IMPCO Ecotrans	30-647-01	1
DPF W/ Enclosure	Dinex A/S	30-630-01	1
Exhaust Heater Cone DPF	Dinex A/S	30-632-01	1
Filter DPF	Dinex A/S	30-633-01	1
Exhaust Outlet Cone	Dinex A/S	30-634-01	1
Brkt DPF Housing	Dinex A/S	30-635-01	1
Shield Heat DPF	Dinex A/S	30-636-01	1
Exhaust Tail Pipe DPF SS	Dinex A/S	30-631-01	1
Exhaust Header Pipe DPF	Dinex A/S	30-638-01	1
Exhaust Inter Pipe DPF	Dinex A/S	30-639-01	1
Pkg Install Kit DPF	IMPCO Ecotrans	30-640-00	1
Harness DCP CAN Adapter	IMPCO Ecotrans	30-614-01	1
Pressure Snubber	One-Ray	30-214-01	1
Sensor Press 0-3psi	Kavlico	30-625-01	1
Brkt Cap - Breaker GX DPF	IMPCO Ecotrans	30-627-01	1
Gasket Muffler 1526312370	Dinex A/S	96-936-00	1
Pkg Manual DPF GX	IMPCO Ecotrans	30-649-01	1
Manual Owners DPF	IMPCO Ecotrans	30-630-98	1
Label CARB DPF APU	NovaVision	30-645-01	1
Label CARB S/N DPF	IMPCO Ecotrans	30-647-01	1
Warranty Registration	IMPCO Ecotrans	30-651-01	1

**PG1050 - DPF System with DCP3**

(for use on MY08 and older APUs without DCP3)

Description	Manufacturer	Part Number	Qty
Identical to the PG1060 with the addition of:			
Driver Control Panel DCP3	IMPCO Ecotrans	30-737-95	1



- |                             |   |                         |
|-----------------------------|---|-------------------------|
| <b>1</b> DPF Controller     | <b>9</b> Pressure Snubber               | • Body Clamp            |
| <b>2</b> DCP2               | <b>10</b> Back-Pressure Sensor Assembly | • Heater Connector      |
| <b>3</b> DPF Assembly       | <b>11</b> Tailpipe                      | • Insulated Header Pipe |
| <b>4</b> Heater Cone        |   | • Insulated Flex Pipe   |
| <b>5</b> Filter             |   | • Wiring Harness        |
| <b>6</b> Temperature Sensor | • Cover                                 | • Capacitor Bracket     |
| <b>7</b> Mounting Bracket   | • Gaskets                               | • Pressure Tube         |
| <b>8</b> Pressure Sensor    | • V-Band Clamps                         |                         |