

HUSS FS-MK Filter System Parts List off-road

Relating to Executive Order Series DE-06-07

Effective Date: May 6, 2016

MK 35 Filter

Component and Spare Parts

Diagram Reference #	Description	Part Number	Qty in Kit
1	Module A	30010010	1
2	Module B	30013005	1
3S	Module C (axial)*	70010004	*1
3R	Module C (radial)*	70010008	*1
4A	Heat shield module A kit # bolts	30010010	1
4B	Heat shield module B kit # with bolts	29113002	1
4CS	Heat shield module C (axial)* kit with bolts	29110002	*1
4CR	Heat shield module C (radial)* kit with bolts	29110004	*1
5A	Burner D1	70000102	*1
5B	Burner D2	70000103	*1
5C	Burner D	70000108	*1
6	Glow plug (12V/24V) Obsolete	60000020	*1
6	Glow plug (12V/24V) Stainless Steel	60000404	*1
7	Filter system air supply kit (MSI blower, bracket, hose)	29000003	1
7	Filter system air supply kit (CX blower, bracket, hose)	95200081	1
8	Non-return valve	30000001	1
9	Temperature sensor kit	29200003 or 95200054	1
10	Fuel pump (12V)	60000022	*1
10	Fuel pump (24V)	60000055	*1
11	Backpressure sensor kit (Spare Part)	29100008	0
12	Gasket for burner	59900001	1
13	Exhaust gas entry gasket	59910004	1
14A	Exhaust gas entry pipe kit (elbow)	29020001	*1
14B	Exhaust gas entry pipe kit (straight)	29020005	*1
15	Filter mounting bracket Module A	30010011	1
16	Flange gasket (Spare Part)	59910001	0
16-17	Modular clamp Kit (flange gasket, modular halves & hardware)	29110003	2
18	Mounting Bracket B Module	29110012	2
19	Curved tip exhaust outlet	70000010	1
20	Exhaust Clamp – FS40, 50, MK35 kit with bolts	40000072	1
21	HUSS Control V2	29000101 kit / 60000121 PN	1
22	Converter (24V)	29200018	**1
Not Shown	Fuel Supply kit	29000007	1
Not Shown	V2 HUSS Control Wiring Kit	29000006	*1
Not Shown	V3 HUSS Control Wiring Kit	29000056	*1
Not Shown	HUSS Control V3	29000056 kit / 60000097 PN	*1
Not Shown	FS40, FS50 Flex-pipe Kit	29020002	1
Not Shown	Service Kit FS40/MK35 (spare maintenance part)	20010101	0
Not Shown	Air Pre-Separator Kit	29000014M	1

* or ** depends on configuration that installer chooses should be one or the other.

HUSS FS-MK Filter System Parts List off-road

Relating to Executive Order Series DE-06-07

Effective Date: May 6, 2016

MK 50 Filter

Component and Spare Parts

Diagram Reference #	Description	Part Number	Qty in Kit
1	Module A	30020007	1
2	Module B	30022007	1
3S	Module C (axial)*	70020001	*1
3R	Module C (radial)*	70020009	*1
4A	Heat shield module A (kit with bolts)	29120004	1
4B	Heat shield module B (kit with bolts)	29123002	1
4CS	Heat shield module C (axial)* (kit with bolts)	29120002	*1
4CR	Heat shield module C (radial)*	29120005	*1
5A	Burner D1	70000102	*1
5B	Burner D2	70000103	*1
5C	Burner D	70000108	*1
6	Glow plug (12V/24V) Stainless Steel	60000404	*1
6	Glow plug (12V/24V) Obsolete	60000020	*1
7	Filter system air supply kit (MSI blower, bracket, hose)	29000003	1
7	Filter system air supply kit (CX blower, bracket, hose)	95200081	1
8	Non-return valve	30000001	1
9	Temperature sensor	29200003 or 95200054	1
10	Fuel pump (12V)	60000022	*1
10	Fuel pump (24V)	60000055	*1
11	Backpressure sensor Spare Part	29100008	0
12	Gasket for burner	59900001	1
13	Exhaust gas entry gasket	59930001	1
14A	Exhaust gas entry pipe kit (elbow)	29200001	*1
14B	Exhaust gas entry pipe kit (straight)	29200005	*1
15	Filter mounting bracket Module A	30020006	1
16	Flange gasket (Spare Part)	59920001	0
16-17	Modular clamp Kit (flange gasket, modular halves & hardware)	29120001	2
18	Mounting Bracket	30020006	3
19	Curved tip exhaust outlet	70000010	1
20	Exhaust Clamp – FS40, 50	40000072	1
21	HUSS Control V2	29000101 kit / 60000121 PN	1
22	Converter (24V)	29200008	**1
Not Shown	Fuel Supply kit	29000007	1
Not Shown	V2 HUSS Control Wiring Kit	29000006	*1
Not Shown	V3 HUSS Control Wiring Kit	29000056	*1
Not Shown	HUSS Control V3	29000056 kit / 60000097 PN	*1
Not Shown	FS40, FS50 Flex-pipe Kit	29020002	1
Not Shown	Exhaust-gas Back Pressure Kit	29100008	1
Not Shown	Air pre-separator kit	29000014M	1

* or ** depends on configuration that installer chooses should be one or the other.

HUSS FS-MK Filter System Parts List off-road

Relating to Executive Order Series DE-06-07

Effective Date: May 6, 2016

MK 75 Filter

Component and Spare Parts

Diagram Reference #	Description	Part Number	Qty in Kit
1	Module A	30020007	1
2	Module B	30023004	1
3S	Module C (axial)	70020001	*1
3R	Module C (radial)	70020009	*1
4A	Heat shield module A	29120004	1
4B	Heat shield module B	29123002	1
4CS	Heat shield module C (axial)	29120002	*1
4CR	Heat shield module C (radial)	29120005	*1
5A	Burner D1	70000102	*1
5B	Burner D2	70000103	*1
5C	Burner D	70000108	*1
6	Glow plug (12V/24V) Stainless Steel	60000404	*1
6	Glow plug (12V/24V) Obsolete	60000020	*1
7	Filter system air supply kit (MSI blower, bracket, hose)	29000003	1
7	Filter system air supply kit (CX blower, bracket, hose)	95200081	1
8	Non-return valve	30000001	1
9	Temperature sensor kit	29200003 or 95200054	1
10	Fuel pump (12V)	60000022	*1
10	Fuel pump (24V)	60000055	*1
11	Backpressure sensor kit (spare part)	29100008	0
12	Gasket for burner	59900001	1
13	Exhaust gas entry gasket	59930004	1
14A	Exhaust gas entry pipe kit (elbow)	29020001	*1
14B	Exhaust gas entry pipe kit (straight)	29020005	*1
15	Filter mounting bracket Module A	30020006	1
16	Flange gasket (spare)	59920001	0
16-17	Modular clamp Kit (flange gasket, modular halves & hardware)	29120001	2
18	Mounting Bracket B Module	29120011	2
19	Curved tip exhaust outlet	70000010	1
20	Exhaust Clamp – FS40, 50, MK35	40000072	1
21	HUSS Control V2	29000101 kit / 60000121 PN	1
22	Converter (24V)	29200018	**1
Not Shown	Fuel Supply kit	29000007	1
Not Shown	V2 HUSS Control Wiring Kit	29000006	*1
Not Shown	V3 HUSS Control Wiring Kit	29000056	*1
Not Shown	HUSS Control V3	29000056 kit / 60000097 PN	*1
Not Shown	MK 75 Flex-pipe Kit	29020002	1
Not Shown	Service Kit MK75 (spare maintenance parts)	20020101	0
Not Shown	Air Pre-Separator Kit	29000014M	1

* or ** depends on configuration that installer chooses should be one or the other.

HUSS FS-MK Filter System Parts List off-road

Relating to Executive Order Series DE-06-07

Effective Date: May 6, 2016

MK 150 Filter

Component and Spare Parts

Diagram Reference #	Description	Part Number	Qty in Kit
1	Module A	30030001	1
2	Module B	29133003	1
3S	Module C (axial)	70030011	*1
3R	Module C (radial)	70030014	*1
4A	Heat shield module A	29130001	1
4B	Heat shield module B	29133003	1
4CS	Heat shield module C (axial)	29130008	*1
4CR	Heat shield module C (radial)	29130009	*1
5A	Burner D1	70000102	*1
5B	Burner D2	70000103	*1
5C	Burner D	70000108	*1
6	Glow plug (12V/24V) Stainless Steel	60000404	*1
6	Glow plug (12V/24V) Obsolete	60000020	*1
7	Filter system air supply kit (MSI blower, bracket, hose)	29000003	1
7	Filter system air supply kit (CX blower, bracket, hose)	95200081	1
8	Non-return valve	30000001	1
9	Temperature sensor kit	29200003 or 95200054	1
10	Fuel pump (12V)	60000022	*1
10	Fuel pump (24V)	60000055	*1
11	Backpressure sensor (spare part)	29100008	0
12	Gasket for burner	59900001	1
13	Exhaust gas entry gasket	59930001	1
14A	Exhaust gas entry pipe kit (elbow)	29020001	*1
14B	Exhaust gas entry pipe kit (straight)	29020005	*1
15	Filter mounting bracket Module A	30030004	1
16	Flange gasket (spare)	59930002	0
16-17	Modular clamp Kit (flange gasket, modular halves & hardware)	29130004	2
18	Mounting Bracket B Module	29130016	3
19	Curved tip exhaust outlet	70000013	1
20	Exhaust Clamp –	40000014	1
21	HUSS Control V2	29000101 kit / 60000121 PN	1
22	Converter (24V)	29200018	*1
Not Shown	Fuel Supply kit	29000007	1
Not Shown	V2 HUSS Control Wiring Kit	29000006	*1
Not Shown	V3 HUSS Control Wiring Kit	29000056	*1
Not Shown	HUSS Control V3	29000056 kit / 60000097 PN	*1
Not Shown	MK 75 – FS80 Flex-pipe Kit	29030003	1
Not Shown	Service Kit FS80 – MK75 (spare maintenance parts)	20030101	0
Not Shown	Air Pre Separator Kit (Optional for ON - supplied in all OFF road kits)	29000014	1

* or ** depends on configuration that installer chooses should be one or the other.

HUSS FS-MK Filter System Parts List off-road

Relating to Executive Order Series DE-06-07

Effective Date: May 6, 2016

MK 200 Filter

Component and Spare Parts

Diagram Reference #	Description	Part Number	Qty in Kit
1	Module A	30040003	1
2	Module B	30043101	1
3S	Module C (axial)	70040015	*1
3R	Module C (radial)	70040011	*1
4A	Heat shield module A	29140003	1
4B	Heat shield module B	29143002	1
4CS	Heat shield module C (axial)	29140009	*1
4CR	Heat shield module C (radial)	29140010	*1
5B	Burner D2	70000103	*1
5C	Burner D	70000108	*1
6	Glow plug (12V/24V) Stainless Steel	60000404	*1
6	Glow plug (12V/24V) Obsolete	60000020	*1
7	Filter system air supply kit (MSI blower, bracket, hose)	29000003	1
7	Filter system air supply kit (CX blower, bracket, hose)	95200081	1
8	Non-return valve	30000001	1
9	Temperature sensor kit	29200003 or 95200054	1
10	Fuel pump (12V)	60000022	*1
10	Fuel pump (24V)	60000055	*1
11	Backpressure sensor Kit (spare part)	29100008	0
12	Gasket for burner	59900001	1
13	Exhaust gas entry gasket	59940002	1
14A	Exhaust gas entry pipe kit (elbow)	29040001	*1
14B	Exhaust gas entry pipe kit (straight)	29040003	*1
15	Filter mounting bracket Module A	30040001	1
16	Flange gasket (spare)	59940001	0
16-17	Modular clamp kit (flange gasket, modular halves & hardware)	29140001	2
18	Mounting Bracket B Module	29140018	3
19	Curved tip exhaust outlet	70000012	1
20	Joint bolt bracket	40000111	1
21	HUSS Control V2	29000101 kit / 60000121 PN	*1
22	Converter (24V)	29200018	*1
Not Shown	Fuel Supply kit	29000007	1
Not Shown	V2 HUSS Control Wiring Kit	29000006	*1
Not Shown	V3 HUSS Control Wiring Kit	29000056	*1
Not Shown	HUSS Control V3	29000056 kit / 60000097 PN	*1
Not Shown	FS100/MK150/ MK200 Flex Pipe Kit	29100040	1
Not Shown	Service Kit FS100/MK 150-200-300 (spare maintenance parts)	20040101	0
Not Shown	Air Pre Separator Kit (Optional for ON - supplied in all OFF road kits)	29000014	1

* or ** depends on configuration that installer chooses should be one or the other.

HUSS FS-MK Filter System Parts List off-road

Relating to Executive Order Series DE-06-07

Effective Date: May 6, 2016

MK 300 Filter

Component and Spare Parts

Diagram Reference #	Description	Part Number	Qty in Kit
1	Module A	30040003	1
2	Module B	30044101	1
3S	Module C (axial)	70040015	*1
3R	Module C (radial)	70040011	*1
4A	Heat shield module A	29140003	1
4B	Heat shield module B	29144002	1
4CS	Heat shield module C (axial)	29140009	*1
4CR	Heat shield module C (radial)	29140010	*1
5B	Burner D2	70000103	*1
5C	Burner D	70000108	*1
6	Glow plug (12V/24V) Stainless Steel	60000404	*1
6	Glow plug (12V/24V) Obsolete	60000020	*1
7	Filter system air supply kit (MSI blower, bracket, hose)	29000003	1
7	Filter system air supply kit (CX blower, bracket, hose)	95200081	1
8	Non-return valve	30000001	1
9	Temperature sensor kit	29200003 or 95200054	1
10	Fuel pump (12V)	60000022	*1
10	Fuel pump (24V)	60000055	*1
11	Backpressure sensor kit (SPARE PART)	29100008	0
12	Gasket for burner	59900001	1
13	Exhaust gas entry gasket	59940002	1
14A	Exhaust gas entry pipe kit (elbow)	29040001	*1
14B	Exhaust gas entry pipe kit (straight)	29040003	*1
15	Filter mounting bracket Module A	30040001	1
16	Flange gasket (spare)	59940001	0
16-17	Modular clamp kit (flange gasket, modular halves & hardware)	29140001	2
18	Mounting Bracket B Module	29140018	3
19	Curved tip exhaust outlet	70000012	1
20	Joint bolt bracket	40000111	1
21	HUSS Control V2	29000101 kit / 60000121 PN	*1
22	Converter (24V)	29200018	*1
Not Shown	Fuel Supply kit	29000007	1
Not Shown	V2 HUSS Control Wiring Kit	29000006	*1
Not Shown	V3 HUSS Control Wiring Kit	29000056	*1
Not Shown	HUSS Control V3	29000056 kit / 60000097 PN	*1
Not Shown	FS100/MK150 Flex Pipe Kit	29100040	1
Not Shown	Service Kit FS100/MK 150-200-300 (spare maintenance parts)	20040101	0
Not Shown	Air Pre-Separator Kit (Optional for ON - supplied in all OFF road kits)	29000014	1

* or ** depends on configuration that installer chooses should be one or the other.

HUSS FS-MK Filter System Parts List off-road

Relating to Executive Order Series DE-06-07

Effective Date: May 6, 2016

MK 400 Filter (double system consisting of two MK 200 filters)

Component and Spare Parts

Diagram Reference #	Description	Part Number	Qty in Kit
1	Module A	30040003	2
2	Module B	30043101	2
3S	Module C (axial)	70040015	*2
3R	Module C (radial)	70040011	*2
4A	Heat shield module A	29140003	2
4B	Heat shield module B	29143002	2
4CS	Heat shield module C (axial)	29140009	*2
4CR	Heat shield module C (radial)	29140010	*2
5B	Burner D2	70000103	*2
5C	Burner D	70000108	*2
6	Glow plug (12V/24V) Stainless Steel	60000404	*2
6	Glow plug (12V/24V) Obsolete	60000020	*2
7	Filter system air supply kit (MSI blower, bracket, hose)	29000003	2
7	Filter system air supply kit (CX blower, bracket, hose)	95200081	2
8	Non-return valve	30000001	2
9	Temperature sensor kit	29200003 or 95200054	2
10	Fuel pump (12V)	60000022	*2
10	Fuel pump (24V)	60000055	*2
11	Backpressure sensor kit (SPARE PART)	29100008	0
12	Gasket for burner	59900001	2
13	Exhaust gas entry gasket	59940002	2
14A	Exhaust gas entry pipe kit (elbow)	29040001	*2
14B	Exhaust gas entry pipe kit (straight)	29040003	*2
15	Filter mounting bracket Module A	30040001	2
16	Flange gasket	59940001	0
16-17	Modular clamp kit (flange gasket, modular halves & hardware)	29140001	4
18	Mounting Bracket B Module	29140018	6
19	Curved tip exhaust outlet	70000012	2
20	Joint bolt bracket	40000111	2
21	HUSS Control V2	29000101 kit / 60000121 PN	*2
22	Converter (24V)	29200009	*2
Not Shown	Fuel Supply kit	29000007	2
Not Shown	V2 HUSS Control Wiring Kit	29000006	*2
Not Shown	V3 HUSS Control Wiring Kit	29000056	*2
Not Shown	HUSS Control V3	29000056 kit / 60000097 PN	*2
Not Shown	FS100/MK150 Flex Pipe Kit	29100040	2
Not Shown	Service Kit FS100/MK 150-200-300 (spare maint parts)	20040101	0
Not Shown	Air pre-separator kit (on road optional supplied in Off Road kits)	29000014	2

* or ** depends on configuration that installer chooses should be one or the other.

HUSS FS-MK Filter System Parts List off-road

Relating to Executive Order Series DE-06-07

Effective Date: May 6, 2016

MK 600 Filter (double system consisting of two MK 300 filters)

Component and Spare Parts

Diagram Reference #	Description	Part Number	Qty in Kit
1	Module A	30040003	2
2	Module B	30043101	2
3S	Module C (axial)	70040015	*2
3R	Module C (radial)	70040011	*2
4A	Heat shield module A	29140003	2
4B	Heat shield module B	29144002	2
4CS	Heat shield module C (axial)	29140009	*2
4CR	Heat shield module C (radial)	29140010	*2
5B	Burner D2	70000103	*2
5C	Burner D	70000108	*2
6	Glow plug (12V/24V) Stainless Steel	60000404	*2
6	Glow plug (12V/24V) Obsolete	60000020	*2
7	Filter system air supply kit (MSI blower, bracket, hose)	29000003	2
7	Filter system air supply kit (CX blower, bracket, hose)	95200081	2
8	Non-return valve	30000001	2
9	Temperature sensor kit	29200003 or 95200054	2
10	Fuel pump (12V)	60000022	*2
10	Fuel pump (24V)	60000055	*2
11	Backpressure sensor kit	29100008	2
12	Gasket for burner	59900001	2
13	Exhaust gas entry gasket	59940002	2
14A	Exhaust gas entry pipe kit (elbow)	29040001	*2
14B	Exhaust gas entry pipe kit (straight)	29040003	*2
15	Filter mounting bracket Module A	30040001	2
16	Flange gasket (spare part)	59940001	0
16-17	Modular clamp kit (flange gasket, modular halves & hardware)	29140001	4
18	Mounting Bracket B Module	29140018	6
19	Curved tip exhaust outlet	70000012	2
20	Joint bolt bracket	40000111	2
21	HUSS Control V2	29000101 kit / 60000121 PN	*2
22	Converter (24V)	29200009	*2
Not Shown	Fuel Supply kit	29000007	2
Not Shown	V2 HUSS Control Wiring Kit	29000006	*2
Not Shown	V3 HUSS Control Wiring Kit	29000056	*2
Not Shown	HUSS Control V3	29000056 kit / 60000097 PN	*2
Not Shown	FS100/MK150 Flex Pipe Kit	29100040	2
Not Shown	Service Kit FS100/MK 150-200-300 (spare maintenance parts)	20040101	0
Not Shown	Air pre-separator kit (on road optional supplied in Off Road kits)	29000014	2

* or ** depends on configuration that installer chooses should be one or the other.

HUSS FS-MK Filter System Parts List off-road

Relating to Executive Order Series DE-06-07

Effective Date: May 6, 2016

FS 40 MK Filter

Component and Spare Parts

Diagram Reference #	Description	Part Number	Qty in Kit
1	Module A	30010010	1
2	Module B	30012001	1
3S	Module C (axial)*	70010004	*1
3R	Module C (radial)*	70010008	*1
4A	Heat shield module A	29120004	1
4B	Heat shield module B	29112001	1
4CS	Heat shield module C (axial)*	29110002	*1
4CR	Heat shield module C (radial)*	29110004	*1
5A	Burner D1	70000102	*1
5B	Burner D2	70000103	*1
5C	Burner D	70000108	*1
6	Glow plug (12V/24V) Stainless Steel	60000404	*1
6	Glow plug (12V/24V) Obsolete	60000020	*1
7	Filter system air supply kit (MSI blower, bracket, hose)	29000003	1
7	Filter system air supply kit (CX blower, bracket, hose)	95200081	1
8	Non-return valve	30000001	1
9	Temperature sensor kit	29200003 or 95200054	1
10	Fuel pump (12V)	60000022	*1
10	Fuel pump (24V)	60000055	*1
11	Backpressure sensor kit	29100008	1
12	Gasket for burner	59900001	1
13	Exhaust gas entry gasket	59930001	1
14A	Exhaust gas entry pipe kit (elbow)	29020001	*1
14B	Exhaust gas entry pipe kit (straight)	29020005	*1
15	Filter mounting Bracket	30010011	3
16	Flange gasket (Spare Part)	59910001	0
16-17	Modular clamp Kit (flange gasket, modular halves & hardware)	29110003	2
18	Curved tip exhaust outlet	70000010	1
19	Exhaust Clamp – FS40, 50, MK35	40000072	1
20	HUSS Control V2	29000101 kit 60000121 PN	1
21	Converter (24V)	29200008	**1
Not Shown	Fuel Supply kit	29000007	1
Not Shown	V2 HUSS Control Wiring Kit	29000006	*1
Not Shown	V3 HUSS Control Wiring Kit	29000056	*1
Not Shown	HUSS Control V3	29000056 kit 60000097 PN	*1
Not Shown	FS40, FS50 Flex-pipe Kit	29020002	1
Not Shown	Exhaust-gas Back Pressure Kit	29100008	1
Not Shown	Air pre-separator kit (on road optional supplied in Off Road kits)	29000014	1

* or ** depends on configuration that installer chooses should be one or the other.

HUSS FS-MK Filter System Parts List off-road

Relating to Executive Order Series DE-06-07

Effective Date: May 6, 2016

FS 50 MK Filter

Component and Spare Parts

Diagram Reference #	Description	Part Number	Qty in Kit
1	Module A	30020007	1
2	Module B	30022003	1
3S	Module C (axial)*	70020001	*1
3R	Module C (radial)*	70020009	*1
4A	Heat shield module A (kit with bolts)	29120004	1
4B	Heat shield module B (kit with bolts)	29122001	1
4CS	Heat shield module C (axial)* (kit with bolts)	29120002	*1
4CR	Heat shield module C (radial)*	29120005	*1
5A	Burner D1	70000102	*1
5B	Burner D2	70000103	*1
5C	Burner D	70000108	*1
6	Glow plug (12V/24V) Stainless Steel	60000404	*1
6	Glow plug (12V/24V) Obsolete	60000020	*1
7	Filter system air supply kit (MSI blower, bracket, hose)	29000003	1
7	Filter system air supply kit (CX blower, bracket, hose)	95200081	1
8	Non-return valve	30000001	1
9	Temperature sensor	29200003 or 95200054	1
10	Fuel pump (12V)	60000022	*1
10	Fuel pump (24V)	60000055	*1
11	Backpressure sensor kit Spare Part	29100008	0
12	Gasket for burner	59900001	1
13	Exhaust gas entry gasket	59930001	1
14A	Exhaust gas entry pipe kit (elbow)	29200001	*1
14B	Exhaust gas entry pipe kit (straight)	29200005	*1
17	Flange gasket (Spare Part)	59920001	0
16/17	Modular clamp Kit (flange gasket, modular halves & hardware)	29120001	2
15	Mounting Bracket	30020006	3
18	Curved tip exhaust outlet	70000010	1
19	Exhaust Clamp – FS40, 50	40000072	1
20	HUSS Control V2	29000101 kit / 60000121 PN	1
21	Converter (24V)	29200008	**1
Not Shown	Fuel Supply kit	29000007	1
Not Shown	V2 HUSS Control Wiring Kit	29000006	*1
Not Shown	V3 HUSS Control Wiring Kit	29000056	*1
Not Shown	HUSS Control V3	29000056 kit / 60000097 PN	*1
Not Shown	FS40, FS50 Flex-pipe Kit	29020002	1
Not Shown	Exhaust-gas Back Pressure Kit	29100008	1
Not Shown	Air pre-separator kit (on road optional supplied in Off Road kits)	29000014	1

* or ** depends on configuration that installer chooses should be one or the other.

HUSS FS-MK Filter System Parts List off-road

Relating to Executive Order Series DE-06-07

Effective Date: May 6, 2016

FS 80 MK Filter

Component and Spare Parts

Diagram Reference #	Description	Part Number	Qty in Kit
1	Module A	30030001	1
2	Module BS (small)	30032001	*1
2	Module BM (medium)	30033001	*1
2	Module BL (large)	30034002	*1
3S	Module C (axial)*	70030011	*1
3R	Module C (radial)*	70030014	*1
4A	Heat shield module A (kit with bolts)	29130001	1
4B	Heat shield module B (kit with bolts) Small	29132011	*1
4B	Heat shield module B (kit with bolts) Medium	29133001	*1
4B	Heat shield module B (kit with bolts) Large	29134001	*1
4CS	Heat shield module C (axial)* (kit with bolts)	29130009	*1
4CR	Heat shield module C (radial)* (kit with bolts)	29130008	*1
5A	Burner D1	70000102	*1
5B	Burner D2	70000103	*1
5C	Burner D	70000108	*1
6	Glow plug (12V/24V) Stainless Steel	60000404	*1
6	Glow plug (12V/24V) Obsolete	60000020	*1
7	Filter system air supply kit (MSI blower, bracket, hose)	29000003	1
7	Filter system air supply kit (CX blower, bracket, hose)	95200081	1
8	Non-return valve	30000001	1
9	Temperature sensor	29200003 or 95200054	1
10	Fuel pump (12V)	60000022	*1
10	Fuel pump (24V)	60000055	*1
11	Backpressure sensor (spare part)	29100008	0
12	Gasket for burner	59900001	1
13	Exhaust gas entry gasket	59930001	1
14A	Exhaust gas entry pipe kit (elbow)	29030004	*1
14B	Exhaust gas entry pipe kit (straight)	29030006	*1
17	Flange gasket (Spare Part)	59930002	0
16/17	Modular clamp Kit (flange gasket, modular halves & hardware)	29130004	2
15	Mounting Bracket	30030004	3
18	Curved tip exhaust outlet	70000013	1
19	Exhaust Clamp – FS 80	40000014	1
20	HUSS Control V2	29000101 kit / 60000121 PN	1
21	Converter (24V)	29200009	**1
Not Shown	Fuel Supply kit	29000007	1
Not Shown	V2 HUSS Control Wiring Kit	29000006	*1
Not Shown	V3 HUSS Control Wiring Kit	29000056	*1
Not Shown	HUSS Control V3	29000056 kit / 60000097 PN	*1
Not Shown	FS 80 Flex-pipe Kit	29030003	1
Not Shown	Exhaust-gas Back Pressure Kit	29100008	1
Not Shown	Air pre-separator kit (on road optional supplied in Off Road kits)	29000014	1

* or ** depends on configuration that installer chooses should be one or the other.

HUSS FS-MK Filter System Parts List off-road

Relating to Executive Order Series DE-06-07

Effective Date: May 6, 2016

FS 100 MK Filter

Component and Spare Parts

Diagram Reference #	Description	Part Number	Qty in Kit
1	Module A	30040003	1
2	Module BS (small)	30042001	*1
2	Module BM (medium)	30043001	*1
2	Module BL (large)	30044001	*1
3S	Module C (axial)*	70040015	*1
3R	Module C (radial)*	70040011	*1
4A	Heat shield module A (kit with bolts)	29140003	1
4B	Heat shield module B (kit with bolts) Small	29142001	*1
4B	Heat shield module B (kit with bolts) medium	29143001	*1
4B	Heat shield module B (kit with bolts) large	29144001	*1
4CS	Heat shield module C (axial)* (kit with bolts)	29140009	*1
4CR	Heat shield module C (radial)*	29140010	*1
5B	Burner D2	70000103	*1
5C	Burner D	70000108	*1
6	Glow plug (12V/24V) Stainless Steel	60000404	*1
6	Glow plug (12V/24V) Obsolete	60000020	*1
7	Filter system air supply kit (MSI blower, bracket, hose)	29000003	1
7	Filter system air supply kit (CX blower, bracket, hose)	95200081	1
8	Non-return valve	30000001	1
9	Temperature sensor	29200003 or 95200054	1
10	Fuel pump (12V)	60000022	*1
10	Fuel pump (24V)	60000055	*1
11	Backpressure sensor (Spare Part)	29100008	0
12	Gasket for burner	59900001	1
13	Exhaust gas entry gasket	59940002	1
14A	Exhaust gas entry pipe kit (elbow)	29040001	*1
14B	Exhaust gas entry pipe kit (straight)	29040003	*1
17	Flange gasket (Spare Part)	59940001	0
16/17	Modular clamp Kit (flange gasket, modular halves & hardware)	29140001	2
15	Mounting Bracket	30040001	3
18	Curved tip exhaust outlet	70000013	1
19	Exhaust Clamp – FS 100	40000111	1
20	HUSS Control V2	29000101 kit / 60000121 PN	1
21	Converter (24V)	29200009	**1
Not Shown	Fuel Supply kit	29000007	1
Not Shown	V2 HUSS Control Wiring Kit	29000006	*1
Not Shown	V3 HUSS Control Wiring Kit	29000056	*1
Not Shown	HUSS Control V3	29000056 kit / 60000097 PN	*1
Not Shown	FS 100 Flex-pipe Kit	29100040	1
Not Shown	Exhaust-gas Back Pressure Kit	29100008	1
Not Shown	Air pre-separator kit (on road optional supplied in Off Road kits)	29000014	1

* or ** depends on configuration that installer chooses should be one or the other.

HUSS FS-MK Filter System Parts List off-road

Relating to Executive Order Series DE-06-07

Effective Date: May 6, 2016

FS 160 MKL Filter (double system consisting of two FS 80 MKL filters)

Component and Spare Parts

Diagram Reference #	Description	Part Number	Qty in Kit
1	Module A	30030001	2
2	Module BL (large)	30034002	*2
3S	Module C (axial)*	70030011	*2
3R	Module C (radial)*	70030014	*2
4A	Heat shield module A (kit with bolts)	29130001	2
4B	Heat shield module B (kit with bolts) Large	29134001	*2
4CS	Heat shield module C (axial)* (kit with bolts)	29130009	*2
4CR	Heat shield module C (radial)* (kit with bolts)	29130008	*2
5A	Burner D1	70000102	*2
5B	Burner D2	70000103	*2
5C	Burner D	70000108	*2
6	Glow plug (12V/24V) Stainless Steel	60000404	*2
6	Glow plug (12V/24V) Obsolete	60000020	*2
7	Filter system air supply kit (MSI blower, bracket, hose)	29000003	2
7	Filter system air supply kit (CX blower, bracket, hose)	95200081	2
8	Non-return valve	30000001	2
9	Temperature sensor	29200003 or 95200054	2
10	Fuel pump (12V)	60000022	*2
10	Fuel pump (24V)	60000055	*2
11	Backpressure sensor (spare part)	29100008	0
12	Gasket for burner	59900001	2
13	Exhaust gas entry gasket	59930001	2
14A	Exhaust gas entry pipe kit (elbow)	29030004	*2
14B	Exhaust gas entry pipe kit (straight)	29030006	*2
17	Flange gasket (Spare Part)	59930002	0
16/17	Modular clamp Kit (flange gasket, modular halves & hardware)	29130004	4
15	Mounting Bracket	30030004	6
18	Curved tip exhaust outlet	70000013	2
19	Exhaust Clamp – FS 80	40000014	2
20	HUSS Control V2	29000101 kit / 60000121 PN	2
21	Converter (24V)	29200009	**2
Not Shown	Fuel Supply kit	29000007	2
Not Shown	V2 HUSS Control Wiring Kit	29000006	*2
Not Shown	V3 HUSS Control Wiring Kit	29000056	*2
Not Shown	HUSS Control V3	29000056 kit / 60000097 PN	*2
Not Shown	FS 80 Flex-pipe Kit	29030003	2
Not Shown	Exhaust-gas Back Pressure Kit	29100008	2
Not Shown	Air pre-separator kit (on road optional supplied in Off Road kits)	29000014	2

* or ** depends on configuration that installer chooses should be one or the other.

HUSS FS-MK Filter System Parts List off-road

Relating to Executive Order Series DE-06-07

Effective Date: May 6, 2016

FS 200 MK Filter (double system consisting of two FS 100 MK filters)

Component and Spare Parts

Diagram Reference #	Description	Part Number	Qty in Kit
1	Module A	30040003	2
2	Module BS (small)	30042001	*2
2	Module BM (medium)	30043001	*2
2	Module BL (large)	30044001	*2
3S	Module C (axial)*	70040015	*2
3R	Module C (radial)*	70040011	*2
4A	Heat shield module A (kit with bolts)	29140003	2
4B	Heat shield module B (kit with bolts) Small	29142001	*2
4B	Heat shield module B (kit with bolts) medium	29143001	*2
4B	Heat shield module B (kit with bolts) large	29144001	*2
4CS	Heat shield module C (axial)* (kit with bolts)	29140009	*2
4CR	Heat shield module C (radial)*	29140010	*2
5B	Burner D2	70000103	*2
5C	Burner D	70000108	*2
6	Glow plug (12V/24V) Obsolete	60000020	*2
6	Glow plug (12V/24V) Stainless Steel	60000404	*2
7	Filter system air supply kit (MSI blower, bracket, hose)	29000003	2
7	Filter system air supply kit (CX blower, bracket, hose)	95200081	2
8	Non-return valve	30000001	2
9	Temperature sensor	29200003 or 95200054	2
10	Fuel pump (12V)	60000022	*2
10	Fuel pump (24V)	60000055	*2
11	Backpressure sensor (spare part)	29100008	0
12	Gasket for burner	59900001	2
13	Exhaust gas entry gasket	59940002	2
14A	Exhaust gas entry pipe kit (elbow)	29040001	*2
14B	Exhaust gas entry pipe kit (straight)	29040003	*2
17	Flange gasket (Spare Part)	59940001	0
16/17	Modular clamp Kit (flange gasket, modular halves & hardware)	29140001	4
15	Mounting Bracket	30040001	4
18	Curved tip exhaust outlet	70000012	2
19	Exhaust Clamp – FS 100	40000111	2
20	HUSS Control V2	29000101 kit / 60000121 PN	*2
21	Converter (24V)	29200009	2
Not Shown	Fuel Supply kit	29000007	2
Not Shown	V2 HUSS Control Wiring Kit	29000006	*2
Not Shown	V3 HUSS Control Wiring Kit	29000056	*2
Not Shown	HUSS Control V3	29000056 kit / 60000097 PN	*2
Not Shown	FS 100 Flex-pipe Kit	29100040	2
Not Shown	Exhaust-gas Back Pressure Kit	29100008	2
Not Shown	Air pre-separator kit (on road optional supplied in Off Road kits)	29000014	2

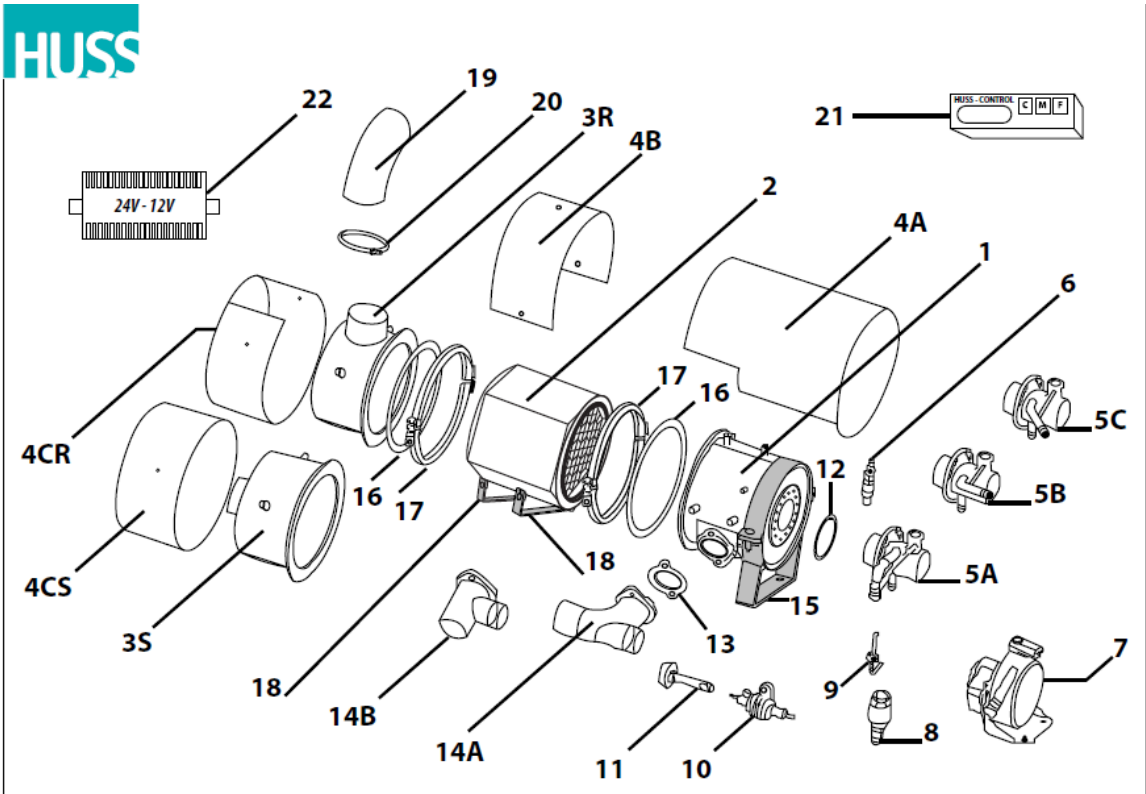
* or ** depends on configuration that installer chooses should be one or the other.

HUSS FS-MK Filter System Parts List off-road

Relating to Executive Order Series DE-06-07

Effective Date: May 6, 2016

MK Filter Diagram



HUSS FS-MK Filter System Parts List off-road

Relating to Executive Order Series DE-06-07

Effective Date: May 6, 2016

FS Filter Diagram

