

State of California
AIR RESOURCES BOARD

EXECUTIVE ORDER A-128
Relating to Certification of New Motor Vehicles

COACH DESIGN GROUP, INC.

Pursuant to the authority vested in the Air Resources Board by Sections 43100, 43102, and 43103 of the Health and Safety Code; and

Pursuant to the authority vested in the undersigned by Sections 39515 and 39516 of the Health and Safety Code and Executive Order G-45-3;

IT IS ORDERED AND RESOLVED: That Coach Design Group, Inc. exhaust emission control systems for 1977 model-year passenger cars are certified for the engine family described below:

Engine Family: GM 760J0
Engine: 350 CID
Transmission: 3-Speed Automatic
Exhaust Emission Control Systems: Air Injection, Exhaust Gas Recirculation, Oxidation Catalyst

Model: San Remo Coupe

The following are the recommended values to be listed on the window decal required by California Assembly-Line Test Procedures for 1977 model-year vehicles:

<u>Engine Family</u>	<u>Hydrocarbons Grams per Mile</u>	<u>Carbon Monoxide Grams per Mile</u>	<u>Nitrogen Oxides Grams per Mile</u>
GM 760J0	0.38	4.2	1.5

BE IT FURTHER RESOLVED: That this certification is contingent upon Coach Design Group Inc. affixing a permanent catalyst overheat warning label on the driver's sun-visor of all catalyst-equipped vehicles. This label must be approved by the Executive Officer.

BE IT FURTHER RESOLVED: That this certification is also contingent upon Coach Design Group, Inc. listing in the owner's manual the operating cautions associated with a catalyst-equipped vehicle. This listing must be approved by the Executive Officer.

COACH DESIGN GROUP, INC.

EXECUTIVE ORDER A-128
(Page 2 of 2)

Vehicles certified under this Executive Order must conform to all applicable California emission regulations.

The Department of Motor Vehicles, the California Highway Patrol, and the Bureau of Automotive Repair will be notified by copy of this order and attachment.

Executed at El Monte, California, this 20 day of April, 1977.



G. C. Hass, Chief
Vehicle Emissions Control Division

1977 AIR RESOURCES BOARD SUPPLEMENTAL DATA SHEET-
Passenger Cars

Manufacturer Coach Design Group, Inc. Executive Order No. A-128 Page 1

Engine Family GM760J0 Engine (CID) 350 Transm. A-3

Emission Control System AI, OC, EGR +10%(A/C) Yes No

Vehicle Models (If Coded see attachment)	Transmission Type	Inertia Weight	Distributor	Fuel System	EGR System	Engine Code	Tune-Up Label	
			Type HEI C,V Mfgr. Part Number	Type EFI Mfgr. Part Number	Part No. Service*		Ident. & Page No.	
San Remo Coupe	A-3	4500	Delco Remy 1103222	Bendix 1610815 (ECU P/N)	17053046 No Service	1 1A 1C	KL KS	2 2

Comments

Date of Issue 041977

Abbreviations

Distributor
Centrifugal Advance
 V-Vacuum Advance
 HEI-High
 EI-Electronic Ignition
Fuel System
 EFI, FI

Exhaust Emission Control System

AI-Air Injection
 CAI-Catalyst Air Injection
 EFI-Electronic Fuel Injection
 EGR-Exhaust Gas Recirculation
 EM-Engine Modification
 EFE-Early Fuel Evaporation
 ESAC-Electronic Spark Advance
 Control

FI-Fuel Injection

OC-Oxidation Catalyst
*Service
 I-Inspect, repair/replace
 as needed
 R-Replace

Manufacturer Coach Design Group, Inc. Executive Order No. A-128 Page 2
 Engine Family GM 760J0 Engine (CID) 350

VEHICLE EMISSION CONTROL INFORMATION

350 CU. IN. CADILLAC DIVISION GENERAL MOTORS CORPORATION

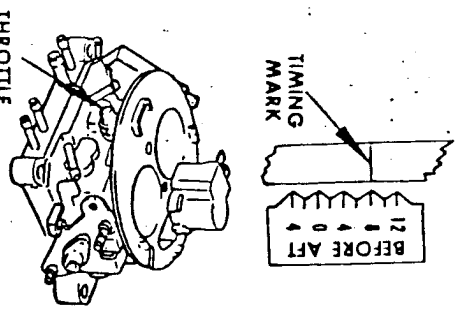
WITH ENGINE AT NORMAL OPERATING TEMPERATURE, AIR CLEANER OFF, AIR CONDITIONING OFF, AND AIR LEVELING COMPRESSOR DISCONNECTED WITH THE VACUUM LINE PLUGGED, IF SO EQUIPPED, MAKE ENGINE ADJUSTMENTS AS FOLLOWS:

1. DISCONNECT AND PLUG VACUUM LINE TO PARKING BRAKE RELEASE TO PREVENT RELEASE OF PARKING BRAKE WHEN SHIFTING TRANSMISSION IN STEPS 4 AND 5.
 2. SET PARKING BRAKE AND BLOCK WHEELS.
 3. DISCONNECT AND PLUG DISTRIBUTOR VACUUM LINE.
 4. PLACE TRANSMISSION IN "PARK" AND SET TIMING AT SPECIFIED R.P.M.
 5. RECONNECT DISTRIBUTOR VACUUM LINE. PLACE TRANSMISSION IN "DRIVE" AND ADJUST THROTTLE BODY SCREW TO SPECIFIED R.P.M.
- NOTE: DO NOT DEPRESS SERVICE BRAKE PEDAL WHILE SETTING IDLE SPEEDS.
6. RECONNECT AIR LEVELING COMPRESSOR AND PARKING BRAKE RELEASE LINES.
- SEE SERVICE MANUAL AND MAINTENANCE SCHEDULE I FOR ADDITIONAL INFORMATION.

CATALYST-A.I.R.-E.G.R. LOW ALTITUDE CERTIFICATION

TIMING (DEG. B.T.D.C. @ R.P.M.)	8 @ 600
SPARK PLUG GAP (INCHES)	.060
THROTTLE BODY SCREW (R.P.M.)	650

ELECTRONIC FUEL INJECTION
 NO ADJUSTMENT PROVISIONS EXIST FOR IDLE FUEL MIXTURE.



THROTTLE BODY SCREW PART NO. 1611464

VEHICLE EMISSION CONTROL INFORMATION

350 CU. IN. CADILLAC DIVISION GENERAL MOTORS CORPORATION

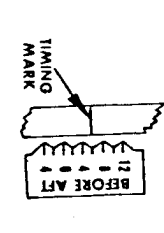
WITH ENGINE AT NORMAL OPERATING TEMPERATURE, AIR CLEANER OFF, AIR CONDITIONING OFF, AND AIR LEVELING COMPRESSOR DISCONNECTED WITH THE VACUUM LINE PLUGGED, IF SO EQUIPPED, MAKE ENGINE ADJUSTMENTS AS FOLLOWS:

1. DISCONNECT AND PLUG VACUUM LINE TO PARKING BRAKE RELEASE TO PREVENT RELEASE OF PARKING BRAKE WHEN SHIFTING TRANSMISSION IN STEPS 4 AND 5.
 2. SET PARKING BRAKE AND BLOCK WHEELS.
 3. DISCONNECT AND PLUG DISTRIBUTOR VACUUM LINE.
 4. PLACE TRANSMISSION IN "PARK" AND SET TIMING AT SPECIFIED R.P.M.
 5. RECONNECT DISTRIBUTOR VACUUM LINE. PLACE TRANSMISSION IN "DRIVE" AND ADJUST THROTTLE BODY SCREW TO SPECIFIED R.P.M.
- NOTE: DO NOT DEPRESS SERVICE BRAKE PEDAL WHILE SETTING IDLE SPEEDS.
6. RECONNECT AIR LEVELING COMPRESSOR AND PARKING BRAKE RELEASE LINES.
- SEE SERVICE MANUAL AND MAINTENANCE SCHEDULE I FOR ADDITIONAL INFORMATION.

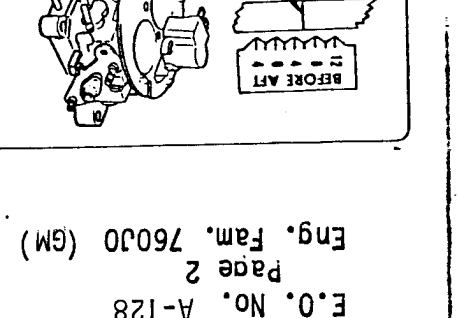
CATALYST-A.I.R.-E.G.R. LOW ALTITUDE CERTIFICATION

TIMING (DEG. B.T.D.C. @ R.P.M.)	6 @ 600
SPARK PLUG GAP (INCHES)	.060
THROTTLE BODY SCREW (R.P.M.)	650

ELECTRONIC FUEL INJECTION
 NO ADJUSTMENT PROVISIONS EXIST FOR IDLE FUEL MIXTURE.



THROTTLE BODY SCREW PART NO. 1612595



THROTTLE BODY SCREW PART NO. 1612595