

State of California  
AIR RESOURCES BOARD

EXECUTIVE ORDER A-6-125  
Relating to Certification of New Motor Vehicles

GENERAL MOTORS CORPORATION

Pursuant to the authority vested in the Air Resources Board by Health and Safety Code Sections 43100, 43102, 43103, and 43835; and

Pursuant to the authority vested in the undersigned by Health and Safety Code Sections 39515 and 39516 and Executive Orders G-45-3 and G-45-4;

IT IS ORDERED AND RESOLVED: That General Motors Corporation exhaust emission control systems for 1978 model-year light duty trucks are certified for the vehicles described below:

- Engine Family: 832J9
- Engine: 350 CID
- Transmission: 3-Speed Automatic
- Exhaust Emission Control System: Diesel Fuel Injection

Models and Engine Codes as listed in attachment.

The following are the recommended values to be listed on the window decal required by California Assembly-Line Test Procedures for 1978 model-year vehicles:

<u>Engine Family</u>	<u>Hydrocarbons Grams per Mile</u>	<u>Carbon Monoxide Grams per Mile</u>	<u>Nitrogen Oxides Grams per Mile</u>
832J9	.8	1.9	1.8

Vehicles certified under this Executive Order must conform to all applicable California emission regulations.

The Department of Motor Vehicles, the California Highway Patrol, and the Bureau of Automotive Repair will be notified by copy of this order and attachment.

Executed at El Monte, California, this 26 day of August, 1977.

*G. C. Hass*  
 G. C. Hass, Chief  
 Vehicle Emissions Control Division

1978 AIR RESOURCES BOARD SUPPLEMENTAL DATA SHEET-GM FORMAT

Manufacturer GENERAL MOTORS CORPORATION Executive Order No. A-6-25 Page 1

Engine Family 832J9 Engine (CID) 350

ABBREVIATIONS

<u>Distributor</u>	<u>Exhaust Emission Control</u>	<u>ESAC-Electronic Spark Advance Control</u>
C-Centrifugal Advance	AI-Air Injection	OC-Oxidation Catalyst
V-Vacuum Advance	CAI-Catalyst Air Injection	OS-Oxygen Sensor
VR-Vacuum Retard	EFI-Electronic Fuel Injection	PAI-Pulse Air Injection
HEI-High Energy Ignition Fuel System	EGR-Exhaust Gas Recirculation	TC-Turbo Charged
EFI	EM-Engine Modification	TWC-Three Way Catalyst
nV-nVenturi Carburetor	EFE-Early Fuel Evaporation	
	DPI-Diesel Fuel Injection	

MODEL NAME		MODEL NUMBER
Chevrolet Fleetside Pickup	(117.5" W.B.)	CC10703 + E63
GMC Wideside Pickup	(117.5" W.B.)	TC10703 + E63
Chevrolet Stepside Pickup	(117.5" W.B.)	CC10703 + E62
GMC Fenderside Pickup	(117.5" W.B.)	TC10703 + E62
Chevrolet Stepside Pickup	(131.5" W.B.)	CC10903 + E62
GMC Fenderside Pickup	(131.5" W.B.)	TC10903 + E62
Chevrolet Fleetside Pickup	(131.5" W.B.)	CC10903 + E63
GMC Wideside Pickup	(131.5" W.B.)	TC10903 + E63

HZ 5.7 LITRE 832J9	<b>VEHICLE EMISSION CONTROL INFORMATION</b> GENERAL MOTORS CORPORATION		<b>NON-CATALYST</b> LOW ALTITUDE CERTIFICATION
--------------------------	---	--	---

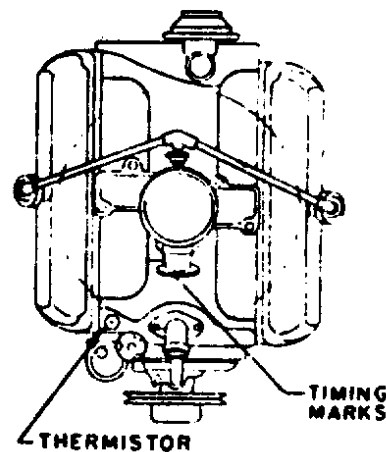
**SET PARKING BRAKE AND BLOCK DRIVE WHEELS**

MAKE ADJUSTMENTS WITH ENGINE AT NORMAL OPERATING TEMPERATURE, AIR CLEANER ON AND ALL ACCESSORIES TURNED OFF.

1. SET TIMING BY ALIGNING TIMING MARKS ON INJECTION PUMP MOUNTING FLANGE AND PUMP MOUNTING ADAPTOR.
2. ADJUST INJECTION PUMP IDLE SPEED SCREW TO 575 RPM, IN DRIVE.
3. TURN IGNITION OFF. DISCONNECT ELECTRICAL CONNECTOR FROM THERMISTOR WHICH ALLOWS SOLENOID TO BE ENERGIZED. START ENGINE AND ADJUST SOLENOID SCREW TO 650 RPM, IN DRIVE.
4. RECONNECT ELECTRICAL CONNECTOR TO THERMISTOR.

SEE SERVICE MANUAL AND DIESEL MAINTENANCE SCHEDULE FOR ADDITIONAL INFORMATION.

THIS VEHICLE CONFORMS TO U.S. EPA AND CALIFORNIA REGULATIONS APPLICABLE TO 1978 MODEL YEAR NEW MOTOR VEHICLES



PRINTED IN U.S.A.

PART NO. 561579

1978 AIR RESOURCES BOARD SUPPLEMENTAL DATA SHEET - GM FORMAT

Light Duty Trucks

Medium Duty Vehicles

Manufacturer: GENERAL MOTORS CORPORATION Executive Order No. A-6-125 Pg. 2

Engine Family 832J9 Engine (CID) 350 Transm. A-3

Exhaust Emission Control System DFI +10% (A/C) Yes  No

Eng. Code	Air Cond.	Diesel Injection Pump Mfgr. Part No.	Diesel Injector Nozzles Mfgr. Pt. No. See Comments	Ident. Decal on Oil Filler Neck See Comments	Inertia Wt. Class	See Page One for:		Trans-mission	Tune-up Label & Page No.	Rev. Notes
						Model Code	Body Code(s)			
2	W or WO	Stanadyne Hartford Division 559073	Stanadyne 551282	TA	4500	CC10703	E62	A-3	HZ	1
						T	E63			
					T					
					5000	CC10903	E62			
							E63			
						T				
						C				
						T				

Comments: See page one for abbreviations.

There is no external identification on nozzles. California nozzles have 3 holes. 49-state nozzles have 2 holes. 49-state decal is QA.

Date of Issue 092777 Revisions: