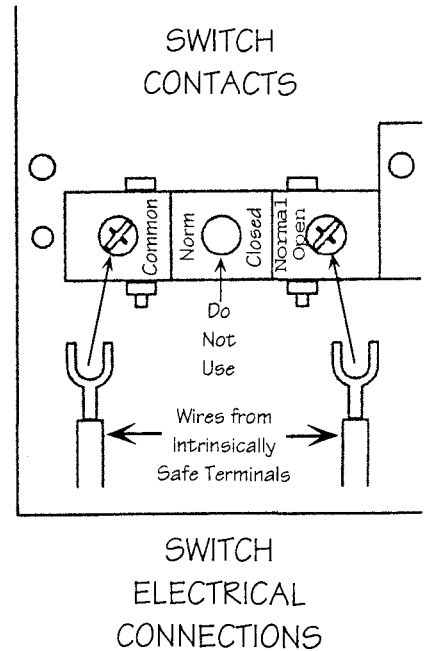
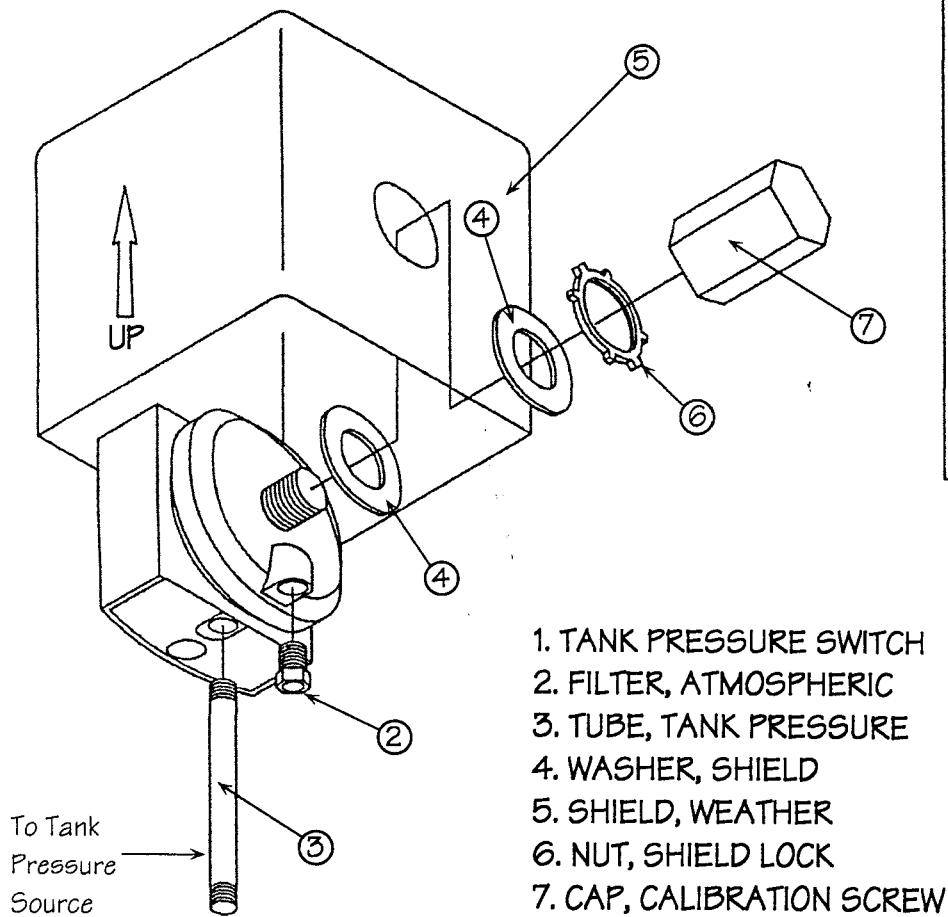


Executive Order G-70-175

Figure 2B-4 Tank Pressure Switch



ORIENTATE AS SHOWN